

KAITE

# 螺旋式摆动油缸

Hydraulic Rotary Actuator

选型样本



KAITE

威海凯特液压技术有限公司

Weihai Kaite Hydraulic Technology Co., LTD

地址：山东省威海市经济技术开发区崮山镇智能制造产业园22#厂房

电话：0631-5789884

市场本部：王宏义 13156089310

市场一部：王鹏 13696311861

网址：www.whkaiteyeya.com

电子邮箱：weihaikaite@163.com

阿里巴巴网址：<https://cn1520382749bhrm.en.alibaba.com/>

威海凯特液压技术有限公司

Weihai Kaite Hydraulic Technology Co.,LTD

山东·威海

[www.whkaiteyeya.com](http://www.whkaiteyeya.com)

## 01 公司简介

### COMPANY INTRODUCTION

- 公司荣誉
- 生产场景

## 02 产品介绍

### PRODUCT INTRODUCTION

- 产品性能
- 安装方式
- 选型代码指南
- 通用系列产品参数
- 专用系列产品参数
- 应用场景
- 产品展示

## 03 战略合作伙伴

### STRATEGIC PARTNER

## COMPANY INTRODUCTION

### 公司简介

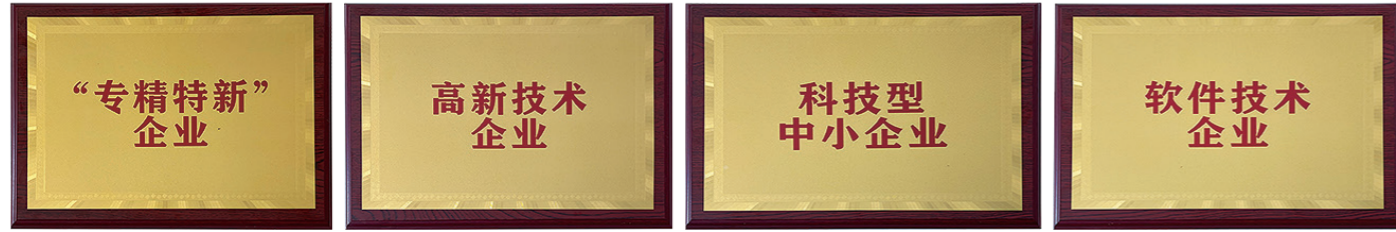


威海凯特液压技术有限公司是一家专注于螺旋式摆动油缸的研发、生产和销售的企业，自 2015 年成立至今，已成长为山东省高新技术企业和软件技术企业，拥有 7000 m<sup>2</sup> 的现代化工业厂房，先后通过 ISO9001 国际质量管理体系、ISO14001 环境认证体系和欧盟 CE 认证，并拥有 20 余项国家实用新型专利，旗下产品分为五大品类百余款型号，广泛应用于矿山机械、建筑机械、特种车辆、市政车辆等行业，成功供货给中铁科工、徐工等国内知名龙头企业，并且远销美国，澳大利亚，等多个国家，赢得了客户的广泛好评。

Weihai Kaite Hydraulic Technology Co., Ltd. is a company specializing in the development, production and sales of hydraulic rotary actuators. Since its establishment in 2015, it has grown into a high-tech Enterprise and software technology enterprise in Shandong province, with 7000 m<sup>2</sup> modern industrial plant, has certified by ISO9001 international quality management system, ISO14001 environmental management system and European CE management, and has more than 20 national utility model patents, its products are divided into five categories of more than 100 models, widely used in mining machinery, construction machinery, special vehicles, municipal vehicles and other industries, and is qualified supplier of China Railway Science and Technology, SANY, XCMG and other well-known leading enterprises, and exported to the United States, Australia, and other countries, won the wide acclaim of customers.



# 公司荣誉——荣誉称号 Company Honors



# 公司荣誉——认证证书 Honorary Title



# 公司荣誉——专利证书 Certificate of Authentication

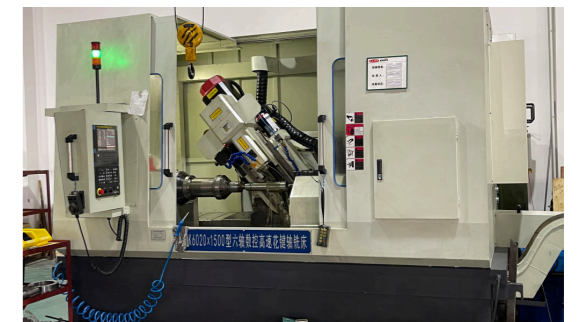


# 生产场景 Production Scenarios



我公司拥有数控车、旋风铣等专业生产设备百余台，设立了加工车间和组装车间，分别进行齿加工、打磨、焊接、组装、喷漆等工序。

Our company has more than one hundred sets of professional production equipment such as CNC lathes and cyclone mills, and has set up processing workshops and assembly workshops for tooth processing, grinding, welding, assembly, painting and other processes respectively.





PRODUCT  
INTRODUCTION  
产品介绍

通用  
系列



KT10 系列

通用  
系列



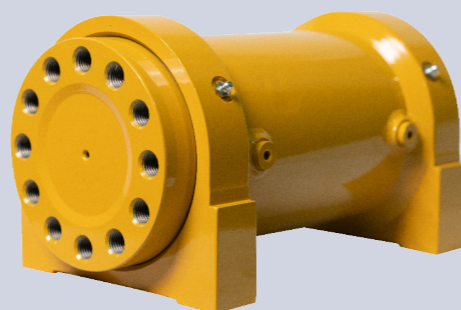
KT20 系列

通用  
系列



KT30 法兰式系列

通用  
系列



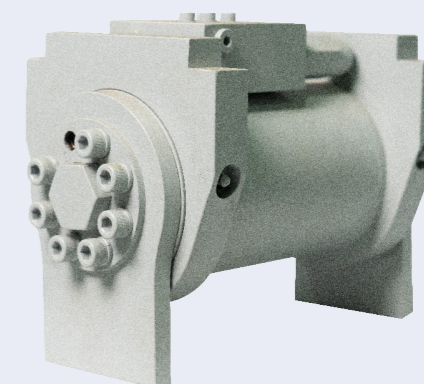
KT30 底座式系列

通用  
系列



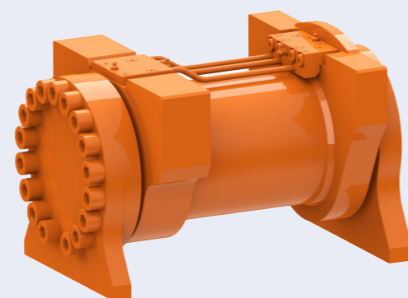
KT40 系列

通用  
系列



KT50 系列

专用  
系列



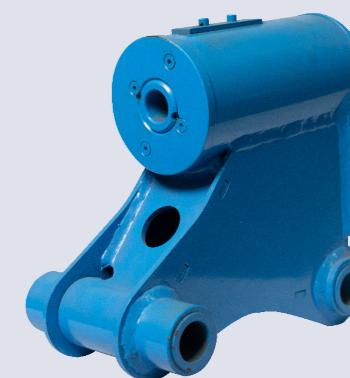
KTPT2 系列

专用  
系列



KTRL75/200 系列

定制  
系列



定制系列

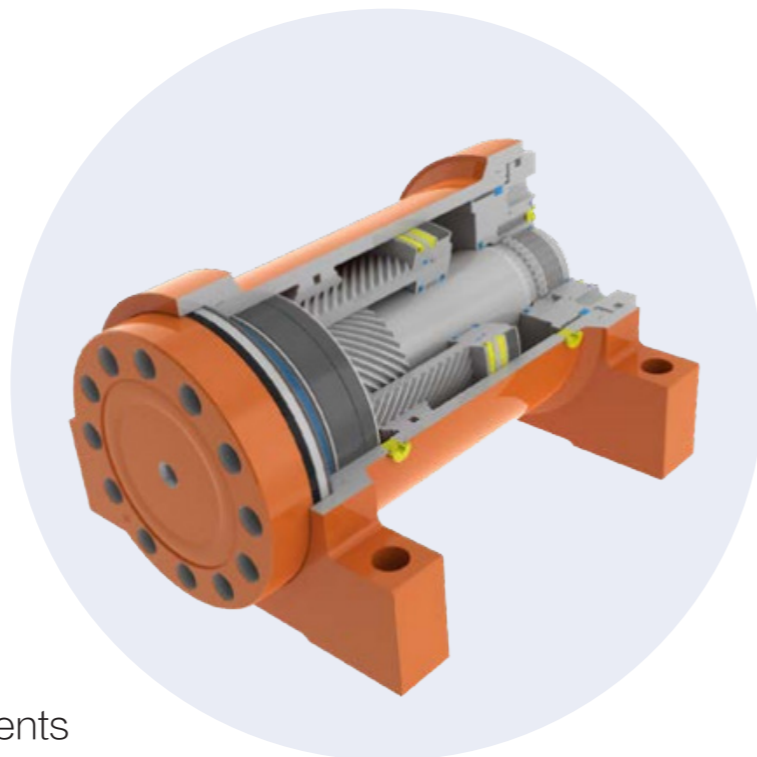


### 功能强大 Powerful

扭矩大, 承载力高  
High torque, high bearing capacity

### 耐用 Durable

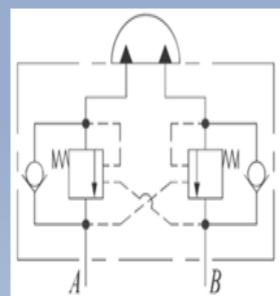
活动部件封闭, 可以适用于恶劣环境  
moving parts enclosed, suitable for harsh environments



### 平衡阀 / Counter balance valve

#### 双向平衡阀特性/valve schematic

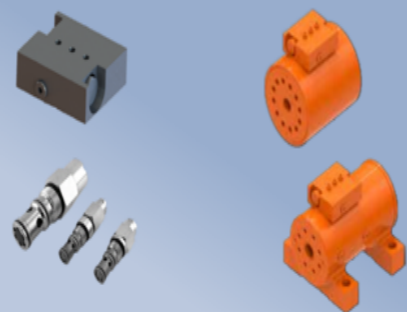
双向平衡阀可以保持负载位置, 防止液压回路泄露时的意外转动以及保持负载运动的平稳。Counterbalance valve protect rotation in the event of a hydraulic line failure and protect the actuator against excessive torque loading.



阀体材质/Valve material  
阀体材料可以选择钢质或者铝, 默认为钢质平衡阀体。The standard one is steel made, aluminum optional  
油缸出厂时, 阀体均配有丝堵, 用户可以自行选择用或者不用平衡阀。缸体上均有备用油口。The thread holes for valve mount available which allow customer order with or without valve.

#### Pressure set

KT10,20和40系列设定压力为228bar, 先导比为3:1。  
KT30系列设定压力为250bar, 先导比为2.5:1。  
KT10,20 and 40 series set pressure is 228bar, the pilot ratio is 3:1.  
KT30 series set pressure is 250bar, the pilot ratio 2.5:1.

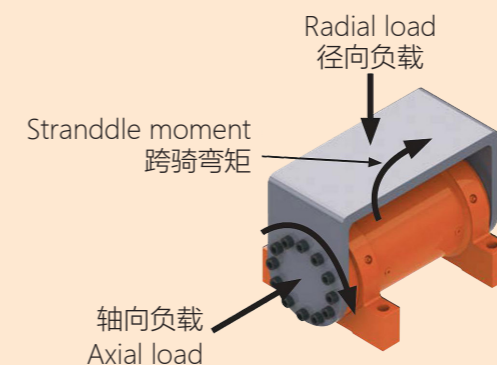


产品结构由双层斜齿轮副构成, 在液压的推动下将直线运动转换成旋转输出, 旋转角度可定制。

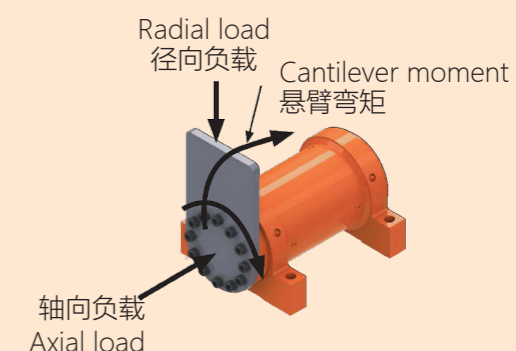
This design is based on a system with a multiple helical gear, the linear movement of the piston is converted into a rotational movement via the multiple helical gears by hydraulic pressure, the rotational movement variable.

### 负载及扭矩说明 / Description of load and torque

#### 跨骑式安装 / Straddle mount

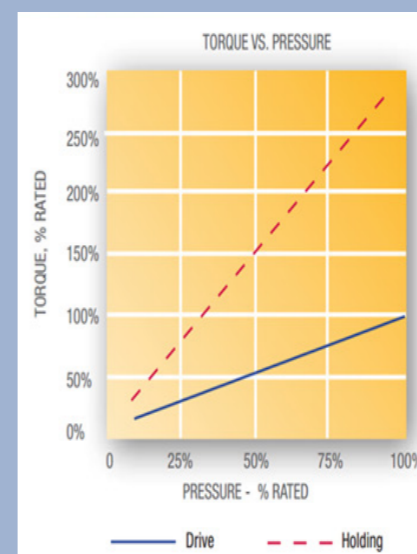


#### 悬臂式安装 / Cantilever mount

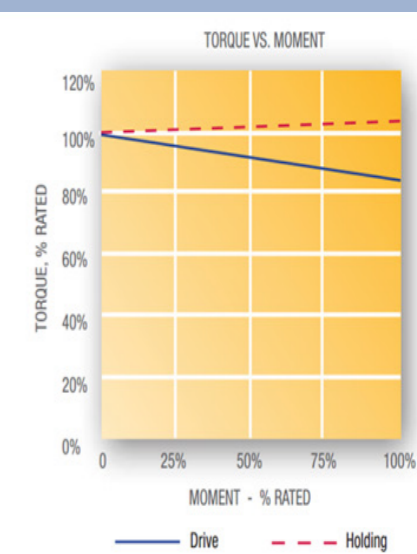


### 油缸性能曲线 / Performance

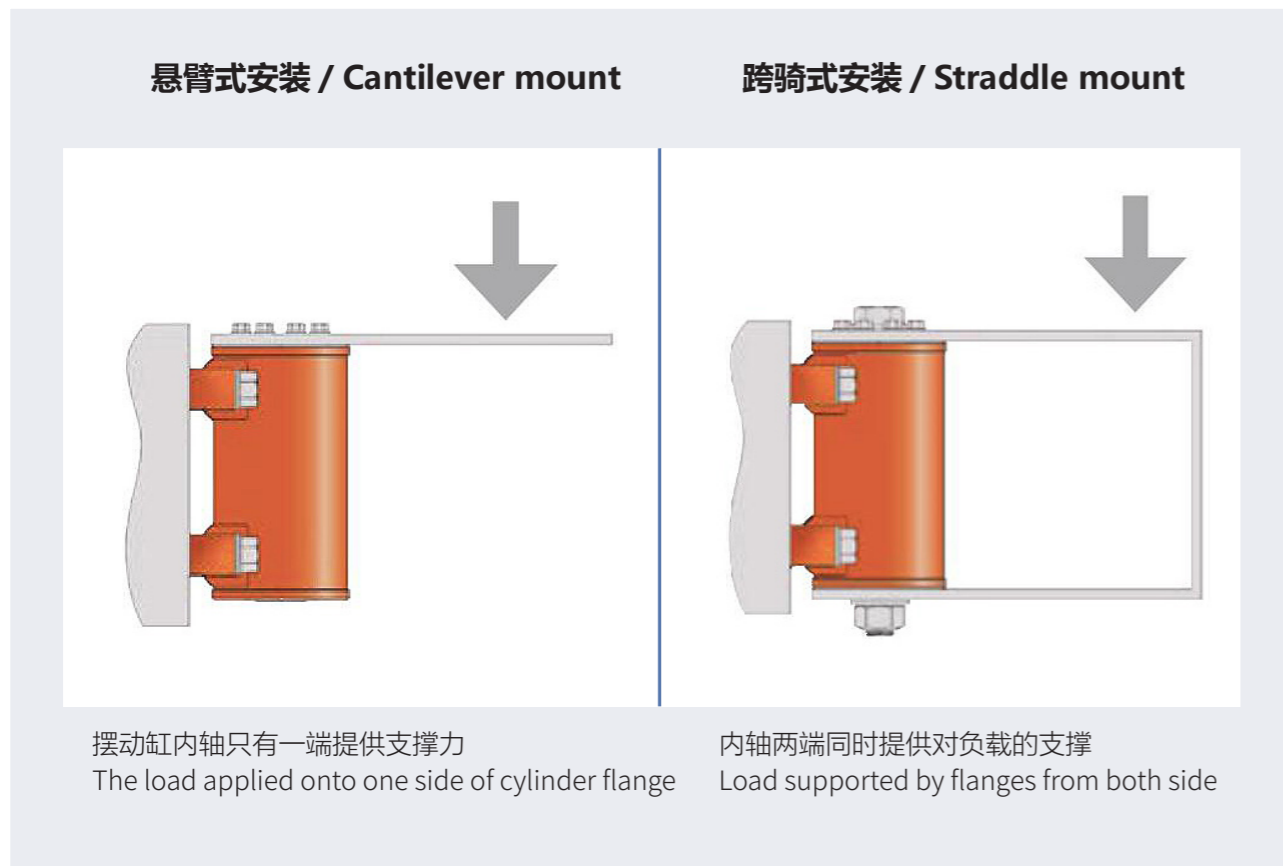
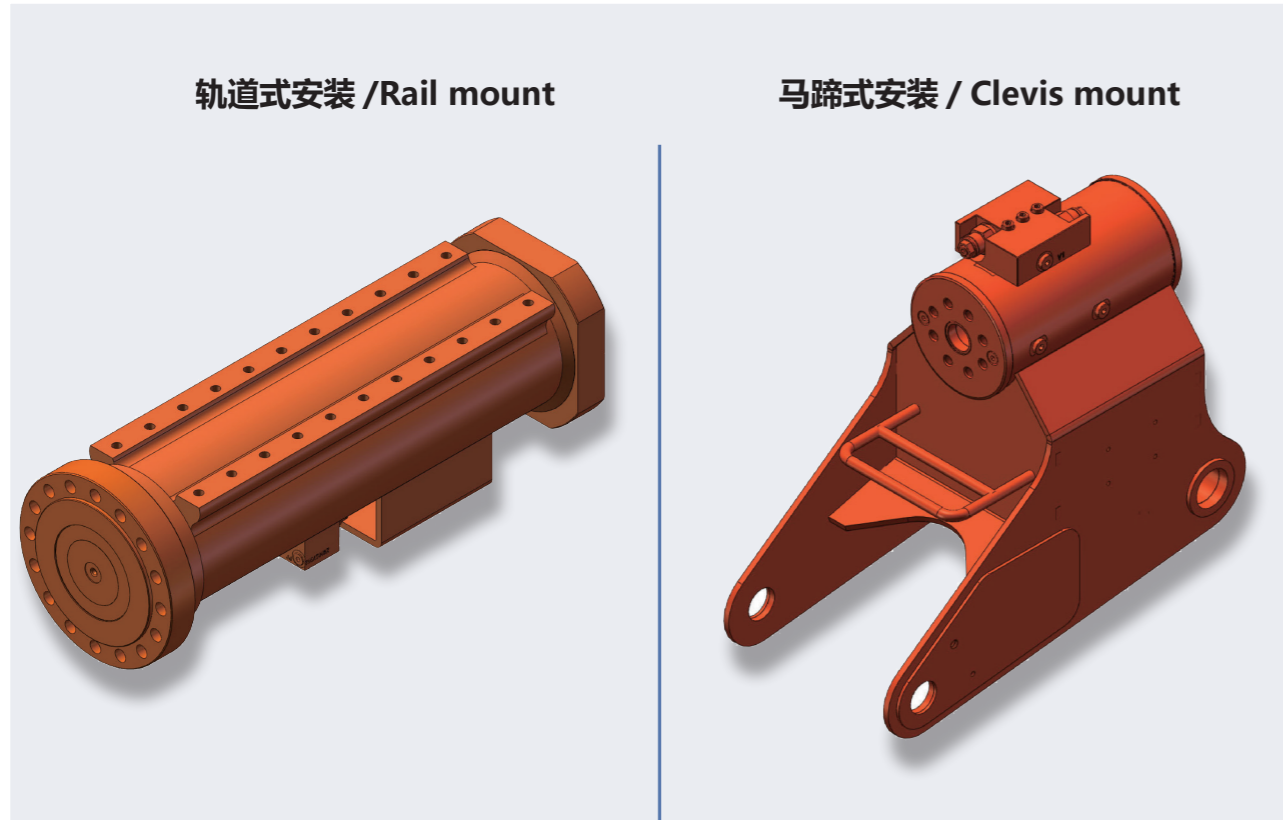
#### 扭矩压力关系曲线 Torque vs pressure



#### 弯矩扭矩关系曲线 Torque vs moment







举例 /Example:

KT10 - 27 - 360 - Q Q Y J



| NO. | 简介 /Description                                | 详解 /Detailed Explanation  |
|-----|--|---|
| 1   | 油缸系列 /Series No.                               | 常用系列 /Common series: KT10,KT20,KT30,KT40,KT50   |
| 2   | 输出扭矩值除以 100/Output Torque Value Divided By 100 | 例如: 输出扭矩为 4700nm 的油缸, 记作: 47, 即 4700/100=47<br>For example: the output torque is 4700nm, denoted as: 47, ie 4700/100=47                       |
| 3   | 输出旋转角度 / Output Rotation Angle                 | 标准角度一般为 180°, 360°, 特殊角度可定制<br>Standard angles are generally 180°, 360°, special angles can be customized                                     |
| 4   | 输出形式 /Torque Output Form                       | Q- 前法兰 /Front flange, S- 双法兰 /Double flange, Z- 轴输出 /Shaft output, H- 花键轴 /Spline Shaft   |
| 5   | 安装方式 /Mounting                                 | Q- 前法兰安装 /Front flange mount, H- 后法兰安装 /Rear flange mount, D- 底座安装 /Foot mounting, M- 马鞍式安装 /Clevis mounting                                  |
| 6   | 平衡阀 / Counterbalance valve                     | Y- 有普通平衡阀 /With ordinary Counterbalance valve, W- 无平衡阀 /Without Counterbalance valve, A- 铝合金平衡阀 /Aluminum alloy Counterbalance valve          |
| 7   | 密封件 /Seals                                     | J- 进口常温密封件 /Imported normal temperature seals, G- 国产普通密封件 /Seals made in China, D- 耐低温密封件 /Withstand low temp, H- 耐高温密封件 /Withstand high temp |

## 产品概述 /Our Product



KT10 系列

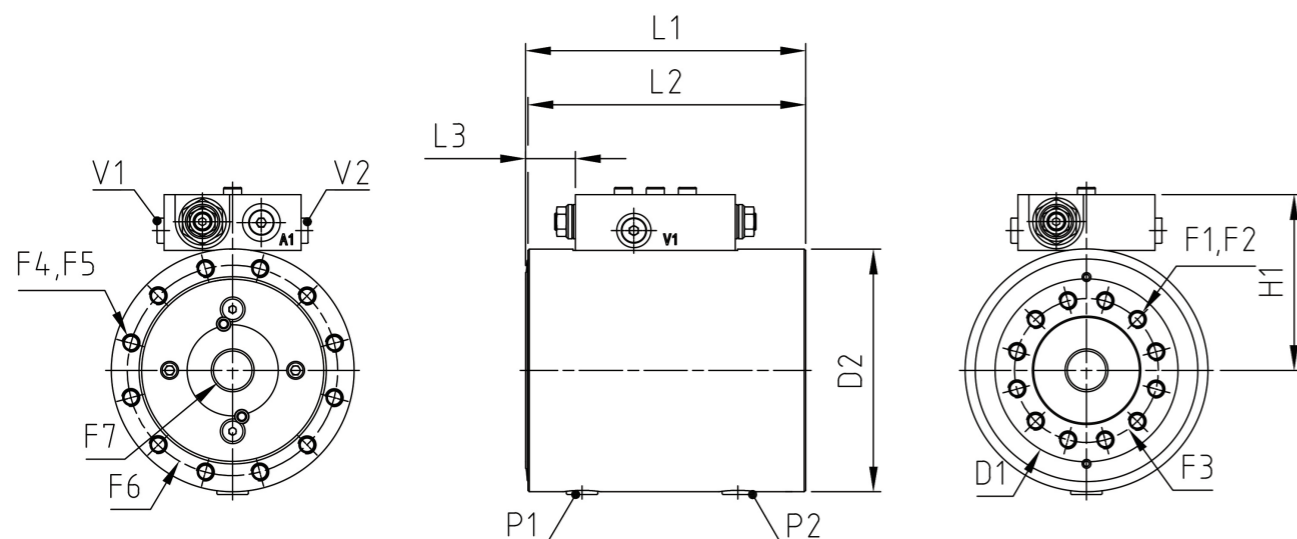
KT20 系列

KT30 系列

KT40 系列

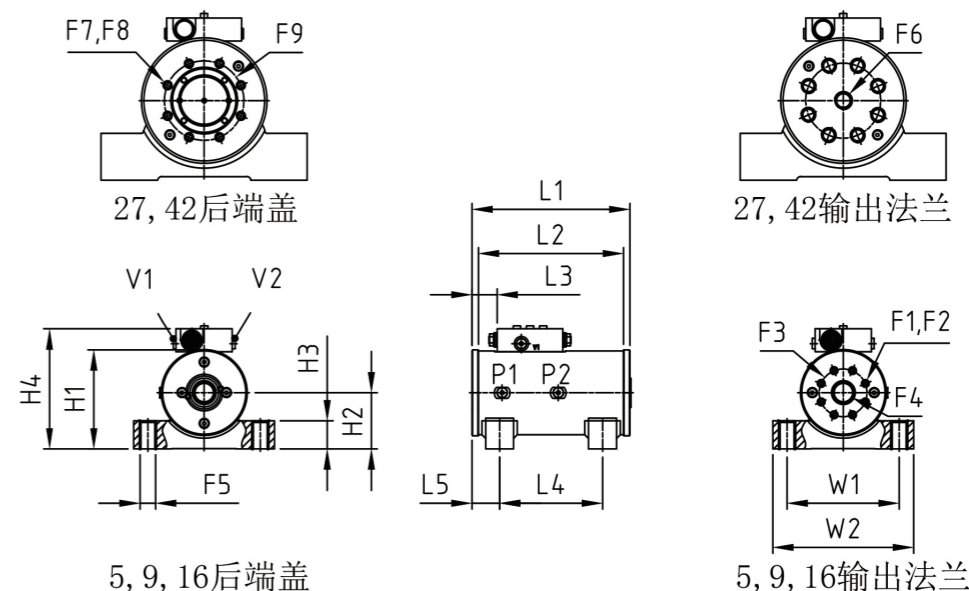
KT50 系列





## KT10 系列 /KT10 SERIES

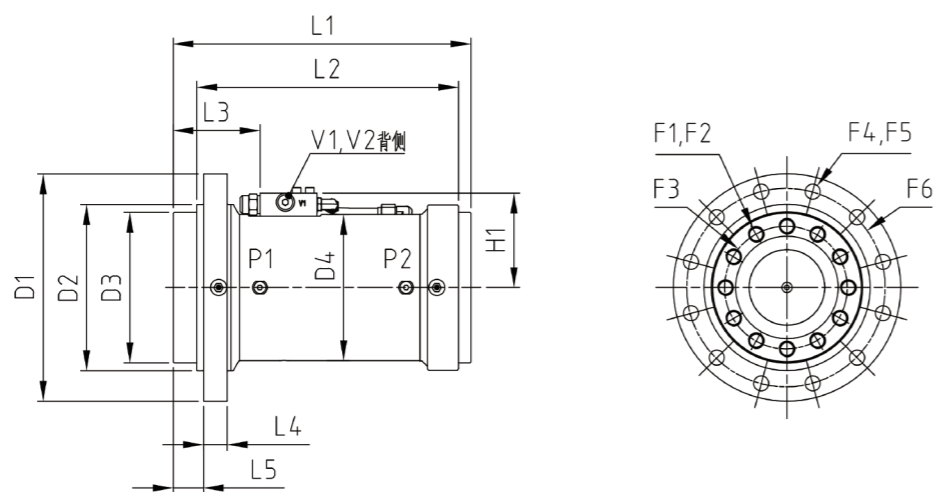
| 型号 /Model  | 2   | 3       | 6       | 10       | 16       | 27       |
|--|---|---------|---------|----------|----------|----------|
| 输出扭矩 /Drive Torque Nm@21MPa  | 180   | 320     | 600     | 1000     | 1600     | 2700     |
| 保持扭矩 /Holding Torque Nm@21MPa  | 630   | 1200    | 1900    | 3800     | 5700     | 9400     |
| 悬臂最大弯矩 /Max Cantilever Moment Nm   | 560   | 1000    | 2200    | 5600     | 9000     | 11200    |
| 径向负载 /Radial Capacity kg   | 900   | 1350    | 1850    | 3600     | 4980     | 6700     |
| 轴向负载 /Axial Capacity kg  | 900   | 1350    | 1850    | 3600     | 4980     | 6700     |
| 排量 (180°) /Displacement 180° cc  | 63.9  | 121     | 192     | 365      | 552      | 914      |
| 排量 (360°) /Displacement 360° cc  | -   | 243     | 384     | 733      | 1105     | 1829     |
| 重量 (180°) /Weight 180° kg  | 6.4   | 10      | 14.2    | 26       | 43.3     | 57       |
| 重量 (180°) /Weight 360° kg  | -   | 12.8    | 19.2    | 35       | 54.5     | 83       |
| D1 安装盘直径 /Dia Of Mounting Flange mm                                      | 77.2  | 89      | 102     | 127      | 148      | 185      |
| D2 壳体直径 /Housing Diameter mm   | 100   | 119     | 135     | 170      | 198      | 226      |
| F1 法兰端螺丝孔尺寸 /Flange Screw Hole Size mm                                   | M8*1.25   | M8*1.25 | M10*1.5 | M12*1.75 | M12*1.75 | M16*2    |
| F2 法兰端螺丝孔个数 /Flange Screw Hole Quantity                                  | 8   | 8       | 12      | 12       | 12       | 12       |
| F3 法兰端螺丝中心圆直径 /Flange Screw Hole Center Circle Diameter mm               | 54  | 73      | 80      | 102      | 127      | 140      |
| F4 端盖螺丝孔尺寸 /Flange Housing Tapped Hole Size mm                           | M8*1.25   | M8*1.25 | M10*1.5 | M12*1.75 | M12*1.75 | M12*1.75 |
| F5 端盖螺丝孔数量 /Number Of Threaded Holes in Flange Housing                   | 8   | 8       | 12      | 12       | 12       | 12       |
| F6 端盖螺丝孔中心圆直径 /Flange Shell Screw Hole Center Circle Diameter mm         | 86  | 103     | 117     | 151      | 175      | 203      |
| F7 安装孔直径 /Dia Of Mount mm  | 14.3  | 17      | 21.4    | 35.7     | 45.7     | 66.7     |
| H1 中心线到阀体的尺寸 /Centerline To Valve Top in mm                              | 80  | 90      | 98      | 115      | 129      | 143      |
| L1 180°总长度 /Overall Length (180°) mm                                     | 140   | 143     | 156     | 184      | 224      | 241      |
| L1 360°总长度 /Overall Length (360°) mm                                     | -   | 189     | 212     | 258      | 311      | 346      |
| L2 不含旋转法兰长度 (180°) /Length Without Swivel Flange (180°) mm               | 138   | 142     | 154     | 182      | 221      | 239      |
| L2 不含旋转法兰长度 (360°) /Length Without Swivel Flange (360°) mm               | -   | 188     | 211     | 256      | 308      | 344      |
| L3 法兰距平衡阀长度 (180°) /Length From Flange To Counterbalance Valve (180°) mm | 25.4  | 26.9    | 27.7    | 27.9     | 38.6     | 43.9     |
| L3 法兰距平衡阀长度 (360°) /Length From Flange To Counterbalance Valve (360°) mm | -   | 22.6    | 24.6    | 42.7     | 60.2     | 70.4     |
| P1 P2 壳体油口 /Ports Housing  | ISO-1179-1/BSPP 'G' 系列, 尺寸从 1/8 到 1/4, 详见图纸 / ISO-1179-1/BSPP 'G' Series, Size From 1/8 to 1/4, See Drawing For Details |         |         |          |          |          |
| V1 V2 阀体油扣 /Ports Valve  | ISO-11926/SAE 系列, 尺寸为 7/16, 详见图纸 /ISO-11926/SAE Series, Size is 7/16, See Drawing For Details.                          |         |         |          |          |          |



## KT20 系列 /KT20 SERIES

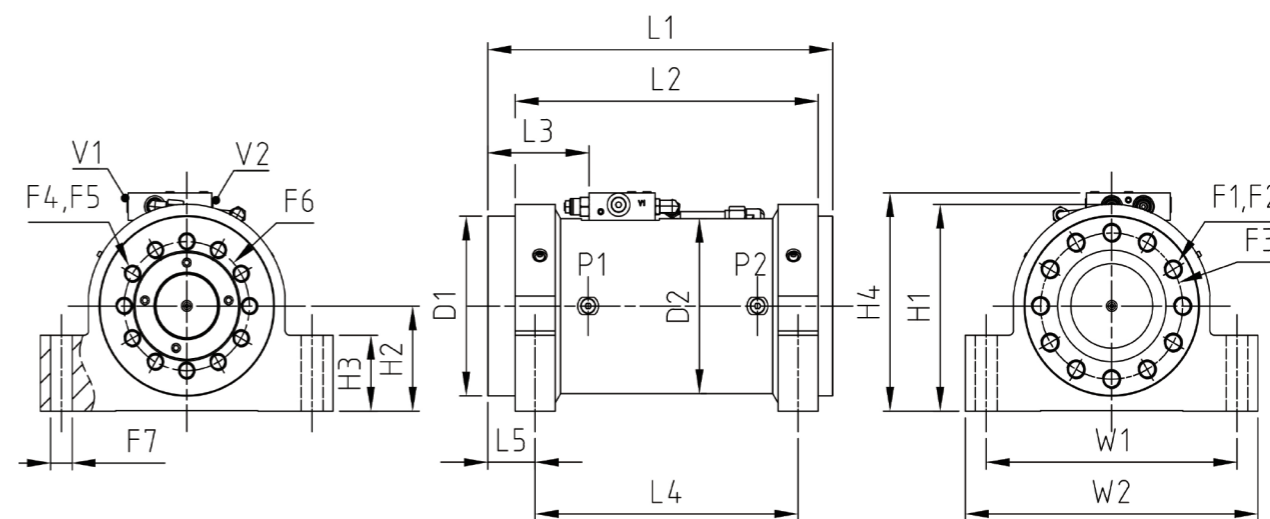
| 型号 /Model   | 5   | 9       | 16       | 27       | 42      |
|---|---|---------|----------|----------|---------|
| 输出扭矩 /Drive Torque Nm@21MPa                                     | 500   | 900     | 1600     | 2680     | 4200    |
| 保持扭矩 /Holding Torque Nm@21MPa                                   | 1300  | 2400    | 4400     | 7100     | 10500   |
| 悬臂安装最大弯矩 /Max Cantilever Moment Nm                              | 1360  | 2480    | 5420     | 11300    | 15800   |
| 跨骑安装最大弯矩 /Max Straddle Moment Nm                                | 2500  | 4500    | 10200    | 16400    | 31600   |
| 径向负载 /Radial Capacity kg  | 1380  | 2130    | 4190     | 5580     | 9530    |
| 轴向负载 /Axial Capacity kg   | 500   | 680     | 1000     | 1400     | 1770    |
| 排量 (180°) /Displacement 180° cc                                 | 132   | 234     | 436      | 726      | 1070    |
| 重量 (180°) /Weight 180° kg                                       | 12.5  | 17      | 30       | 51       | 77      |
| D1 安装盘直径 /Dia Of Mounting Flange mm                             | 104   | 117     | 142      | 170      | 196     |
| D2 壳体直径 /Housing Diameter mm                                    | 101   | 114     | 139      | 165      | 191     |
| F1 法兰端螺丝孔尺寸 /Flange Screw Hole Size mm                          | M10*1.5   | M10*1.5 | M12*1.75 | M20*2.5  | M20*2.5 |
| F2 法兰端螺丝孔个数 /Flange Screw Hole Quantity                         | 6   | 8       | 8        | 8        | 10      |
| F3 法兰端中心圆直径 /Flange Screw Hole Center Circle Diameter mm        | 53.9  | 65      | 85       | 102      | 121     |
| F4 内轴通孔尺寸 /Clearance Hole For Shaft Through Bolt mm             | M20   | M24     | M24      | -        | -       |
| F5 地脚安装孔尺寸 /Housing Foot Clearance Hole Required Bolt Size mm   | M16   | M20     | M24      | M24      | M30     |
| F6 轴中心孔 /Center Hole of Shaft mm                                | -   | -       | -        | M24*3    | 1-1/4-7 |
| F7 端盖丝孔尺寸 /Flange Housing Tapped Hole Size mm                   | -   | -       | -        | M12*1.75 | M16*2   |
| F8 端盖螺纹数量 /Number Of Threaded Holes in Flange Housing           | -   | -       | -        | 8        | 10      |
| F9 端盖丝孔中心圆直径 /Flange Shell Screw Hole Center Circle Diameter mm | -   | -       | -        | 108      | 121     |
| H1 不含平衡阀高度 /Height without counterbalance valve mm              | 119   | 135     | 158      | 193      | 218     |
| H2 底面距中心线高 /Height of Center Hole mm                            | 66  | 76.2    | 85.9     | 108      | 121     |
| H3 地脚高 /Foot Height mm  | 34.3  | 38.1    | 44.5     | 63.5     | 70      |
| H4 总高度 /Overall Height mm                                       | 146   | 163     | 185      | 220      | 245     |
| L1 总长度 /Overall Length mm                                       | 188   | 216     | 248      | 298      | 337     |
| L2 不含旋转法兰长度 /Length Without Swivel Flange mm                    | 173   | 197     | 229      | 276      | 314     |
| L3 法兰距平衡阀距离 /Length From Flange To Counterbalance Valve mm      | 32  | 34.5    | 44.7     | 48.8     | 49      |
| L4 脚安装孔距离 /Mounting Length mm                                   | 111   | 140     | 152      | 184      | 216     |
| L5 法兰与安装孔距离 /Distance Between Flange and Mounting Hole mm       | 37.9  | 37.6    | 47       | 57.2     | 60.5    |
| W1 地脚安装孔距离 /Mounting Width mm                                   | 145   | 152     | 197      | 222      | 267     |
| W2 总宽度 /Overall Width mm  | 178   | 191     | 248      | 279      | 330     |
| P1 P2 壳体油口 /Ports Housing                                       | ISO-1179-1/BSPP 'G' 系列, 尺寸从 1/8 到 1/4, 详见图纸 / ISO-1179-1/BSPP 'G' Series, Size From 1/8 to 1/4, See Drawing For Details |         |          |          |         |
| V1 V2 阀体油扣 /Ports Valve   | ISO-11926/SAE 系列, 尺寸为 7/16, 详见图纸 /ISO-11926/SAE Series, Size is 7/16, See Drawing For Details.                          |         |          |          |         |





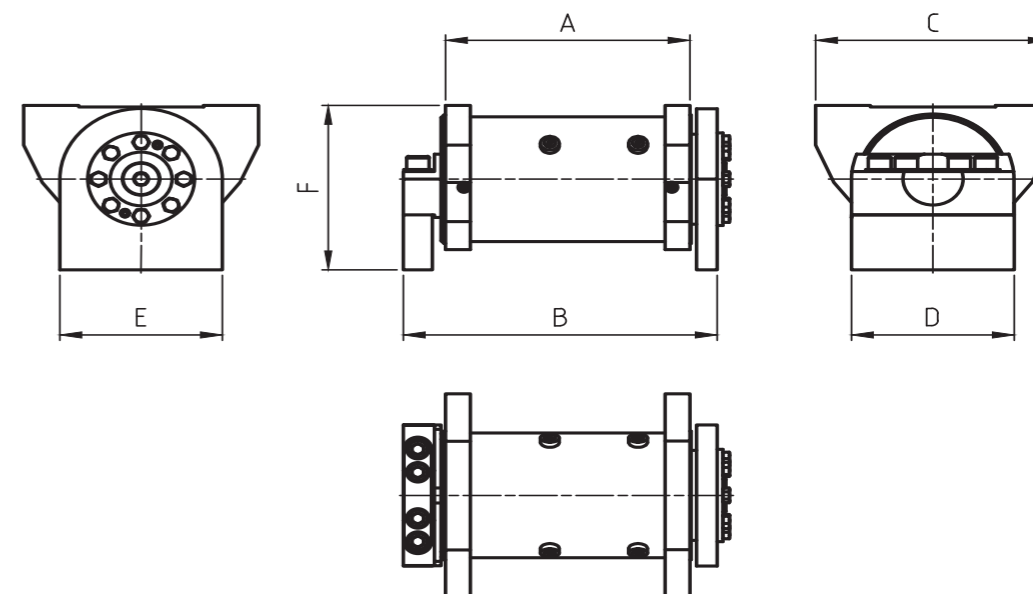
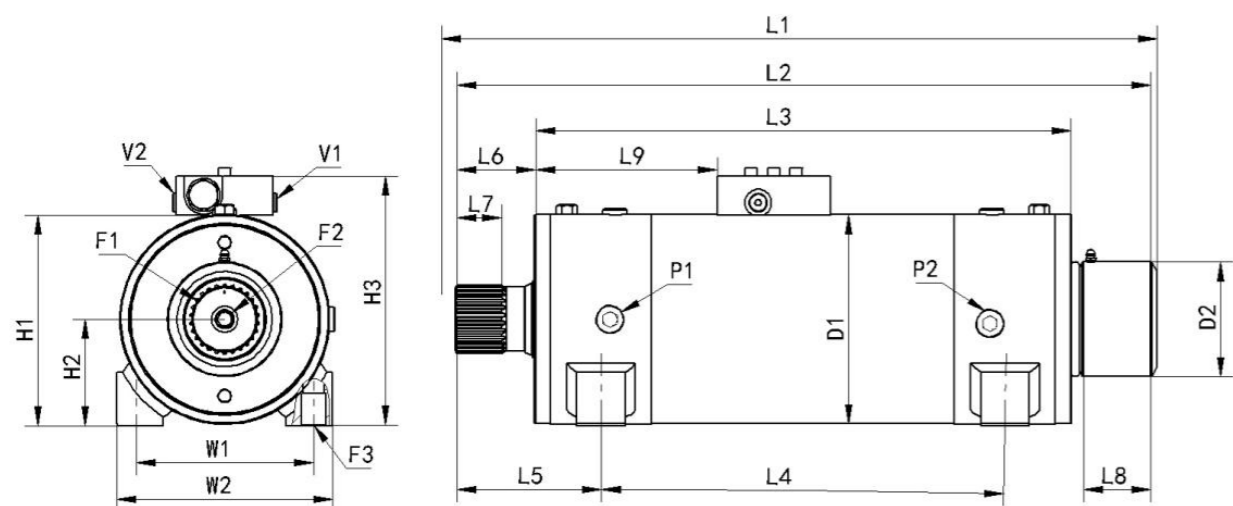
KT30 (法兰式) 系列 / KT30 (Flange Mount) SERIES

| 型号 / Model  | 19  | 28       | 47      | 73      | 105     | 140    | 180    | 240     |
|---|---|----------|---------|---------|---------|--------|--------|---------|
| 输出扭矩 / Drive Torque Nm@21MPa  | 1900  | 2800     | 4700    | 7300    | 10500   | 14000  | 18000  | 24000   |
| 保持扭矩 / Holding Torque Nm@21MPa  | 4900  | 6800     | 12000   | 18000   | 26000   | 35000  | 46000  | 59000   |
| 悬臂安装弯矩 / Max Cantilever Moment Nm   | 5200  | 7100     | 11900   | 18400   | 29500   | 38800  | 55900  | 72900   |
| 跨骑式安装弯矩 (180°) / Max Straddle Moment (180°) Nm                            | 13400   | 16900    | 30800   | 47800   | 75100   | 98900  | 130500 | 170000  |
| 跨骑式安装弯矩 (360°) / Max Straddle Moment (360°) Nm                            | 19200   | 24600    | 45400   | 71200   | 111500  | 146000 | 197700 | 256500  |
| 径向负载 / Radial Capacity kg   | 1800  | 2300     | 3600    | 5000    | 6800    | 8200   | 10000  | 11800   |
| 轴向负载 / Axial Capacity kg  | 1400  | 1800     | 2700    | 3600    | 4500    | 5900   | 6800   | 8200    |
| 排量 (180°) / Displacement (180°) cc  | 492   | 688      | 1180    | 1870    | 2680    | 3540   | 4650   | 6000    |
| 排量 (360°) / Displacement (360°) cc  | 980   | 1390     | 2360    | 3740    | 5360    | 7080   | 9320   | 12000   |
| 重量 (180°) / Weight (180°) kg  | 34.5  | 50       | 72.5    | 110     | 160     | 220    | 280    | 360     |
| 重量 (360°) / Weight (360°) kg  | 45.5  | 63.4     | 100     | 140     | 200     | 290    | 370    | 455     |
| D1 筒体法兰直径 / Overall Flange Diameter mm                                    | 200   | 235      | 280     | 315     | 355     | 396    | 442    | 475     |
| D2 止口直径 / Pilot Diameter mm   | 150   | 175      | 205     | 230     | 260     | 290    | 315    | 340     |
| D3 安装盘直径 / Dia Of Mounting Flange mm                                      | 139   | 155      | 183     | 209     | 234     | 263    | 288    | 310     |
| D4 壳体直径 / Housing Diameter mm   | 140   | 152      | 178     | 203     | 229     | 254    | 279    | 305     |
| F1 法兰端螺丝孔尺寸 / Flange Screw Hole Size mm                                   | M12*1.75  | M16*2    | M20*2.5 | M22*2.5 | M24*3   | M27*3  | M27*3  | M30*3.5 |
| F2 法兰端螺丝孔个数 / Flange Screw Hole Quantity                                  | 12  | 12       | 12      | 12      | 12      | 12     | 12     | 12      |
| F3 法兰端螺丝孔中心圆直径 / Flange Screw Hole Center Circle Diameter mm              | 115   | 125      | 150     | 170     | 195     | 215    | 240    | 255     |
| F4 端盖端螺栓孔尺寸 / Flange Housing Tapped Hole Size mm                          | M10*1.5   | M12*1.75 | M16*2   | M20*2.5 | M22*2.5 | M24*3  | M27*3  | M27*3   |
| F5 端盖端螺栓数量 / Number Of Threaded Holes in Flange Housing                   | 12  | 12       | 12      | 12      | 12      | 12     | 12     | 12      |
| F6 端盖端螺栓孔中心圆直径 / Flange Shell Screw Hole Center Circle Diameter mm        | 175   | 206      | 245     | 275     | 310     | 345    | 380    | 410     |
| H1 中心到阀体顶部高度 / Centerline To Valve Top in mm                              | 99.1  | 106      | 118     | 131     | 144     | 156    | 169    | 182     |
| L1 总长度 (180°) / Overall Length (180°) mm                                  | 298   | 323      | 365     | 413     | 475     | 524    | 551    | 600     |
| L1 总长度 (360°) / Overall Length (360°) mm                                  | 427   | 470      | 538     | 615     | 705     | 776    | 836    | 906     |
| L2 不含旋转法兰长度 (180°) / Length Without Swivel Flange (180°) mm               | 261   | 286      | 323     | 363     | 431     | 463    | 493    | 534     |
| L2 不含旋转法兰长度 (360°) / Length Without Swivel Flange (360°) mm               | 392   | 433      | 496     | 565     | 661     | 715    | 775    | 843     |
| L3 法兰与平衡阀距离 (180°) / Length From Flange To Counterbalance Valve (180°) mm | 75.2  | 134      | 143     | 130     | 152     | 185    | 196    | 221     |
| L3 法兰与平衡阀距离 (360°) / Length From Flange To Counterbalance Valve (360°) mm | 149   | 157      | 197     | 232     | 267     | 308    | 338    | 374     |
| L4 外法兰厚度 / Mounting Flange Thickness mm                                   | 25.2  | 26       | 31      | 33      | 40      | 42     | 46     | 52      |
| L5 外法兰和内法兰距离 / Distance from Outer Flange to Inner Flange mm              | 27  | 32       | 35      | 42      | 40      | 53     | 54     | 56      |
| P1 P2 壳体油口 / Ports Housing  | ISO-1179-1/BSPP 'G' 系列, 尺寸从 1/8 到 1/4, 详见图纸 / ISO-1179-1/BSPP 'G' Series, Size From 1/8 to 1/4, See Drawing For Details |          |         |         |         |        |        |         |
| V1 V2 阀体油口 / Ports Valve  | ISO-1179-1/BSPP 'G' 系列, 尺寸 3/8, 详见图纸 / ISO-1179-1/BSPP 'G' SAE Series, Size is 3/8, See Drawing For Details.            |          |         |         |         |        |        |         |



KT30 (底座式) 系列 / KT30 (Foot Type) SERIES

| 型号 / Model  | 19  | 28       | 47      | 73      | 105     | 140    | 180    | 240     |
|---|---|----------|---------|---------|---------|--------|--------|---------|
| 输出扭矩 / Drive Torque Nm@21MPa  | 1900  | 2800     | 4700    | 7300    | 10500   | 14000  | 18000  | 24000   |
| 保持扭矩 / Holding Torque Nm@21MPa  | 4900  | 6800     | 12000   | 18000   | 26000   | 35000  | 46000  | 59000   |
| 悬臂安装弯矩 / Max Cantilever Moment Nm   | 5200  | 7100     | 11900   | 18400   | 29500   | 38800  | 55900  | 72900   |
| 跨骑式安装弯矩 (180°) / Max Straddle Moment (180°) Nm                            | 13400   | 16900    | 30800   | 47800   | 75100   | 98900  | 130500 | 170000  |
| 跨骑式安装弯矩 (360°) / Max Straddle Moment (360°) Nm                            | 19200   | 24600    | 45400   | 71200   | 111500  | 146000 | 197700 | 256500  |
| 径向负载 / Radial Capacity kg   | 1800  | 2300     | 3600    | 5000    | 6800    | 8200   | 10000  | 11800   |
| 轴向负载 / Axial Capacity kg  | 1400  | 1800     | 2700    | 3600    | 4500    | 5900   | 6800   | 8200    |
| 排量 (180°) / Displacement (180°) cc  | 492   | 688      | 1180    | 1870    | 2680    | 3540   | 4650   | 6000    |
| 排量 (360°) / Displacement (360°) cc  | 980   | 1390     | 2360    | 3740    | 5360    | 7080   | 9320   | 12000   |
| 重量 (180°) / Weight (180°) kg  | 34.5  | 50       | 72.5    | 110     | 160     | 220    | 280    | 360     |
| 重量 (360°) / Weight (360°) kg  | 45.5  | 63.4     | 100     | 140     | 200     | 290    | 370    | 455     |
| D1 安装盘直径 / Dia Of Mounting Flange mm                                      | 139   | 155      | 183     | 209     | 234     | 263    | 288    | 310     |
| D2 壳体直径 / Housing Diameter mm   | 140   | 152      | 178     | 203     | 229     | 254    | 279    | 305     |
| F1 法兰端螺丝孔尺寸 / Flange Screw Hole Size mm                                   | M12*1.75  | M16*2    | M20*2.5 | M22*2.5 | M24*3   | M27*3  | M27*3  | M30*3.5 |
| F2 法兰端螺丝孔个数 / Flange Screw Hole Quantity                                  | 12  | 12       | 12      | 12      | 12      | 12     | 12     | 12      |
| F3 法兰端螺丝孔中心圆直径 / Flange Screw Hole Center Circle Diameter mm              | 115   | 125      | 150     | 170     | 195     | 215    | 240    | 255     |
| F4 端盖端螺栓孔尺寸 / Flange Housing Tapped Hole Size mm                          | M10*1.5   | M12*1.75 | M16*2   | M20*2.5 | M22*2.5 | M24*3  | M27*3  | M27*3   |
| F5 端盖端螺栓数量 / Number Of Threaded Holes in Flange Housing                   | 12  | 12       | 12      | 12      | 12      | 12     | 12     | 12      |
| F6 端盖端螺栓孔中心圆直径 / Flange Shell Screw Hole Center Circle Diameter mm        | 108   | 120      | 133     | 150     | 170     | 190    | 210    | 230     |
| F7 安装孔直径 / Dia Of Mount mm  | M16   | M20      | M22     | M24     | M27     | M30    | M36    | M36     |
| H1 不含平衡阀高度 / Centerline To Valve Top in mm                                | 156   | 186      | 212     | 240     | 276     | 305    | 327    | 362     |
| H2 底面距中心线高 / Height of Center Hole mm                                     | 80  | 94.9     | 108     | 122     | 140     | 154    | 165    | 184     |
| H3 地脚高 / Foot Height mm   | 48  | 70       | 78      | 88      | 105     | 110    | 120    | 135     |
| H4 总高度 / Overall Height mm  | 179   | 201      | 226     | 271     | 283     | 310    | 334    | 366     |
| L1 总长度 (180°) / Overall Length (180°) mm                                  | 298   | 323      | 365     | 413     | 475     | 524    | 551    | 600     |
| L1 总长度 (360°) / Overall Length (360°) mm                                  | 427   | 470      | 538     | 615     | 705     | 776    | 836    | 906     |
| L2 不含旋转法兰长度 (180°) / Length Without Swivel Flange (180°) mm               | 261   | 286      | 323     | 363     | 431     | 463    | 493    | 534     |
| L2 不含旋转法兰长度 (360°) / Length Without Swivel Flange (360°) mm               | 392   | 433      | 496     | 565     | 661     | 715    | 775    | 843     |
| L3 法兰与平衡阀距离 (180°) / Length From Flange To Counterbalance Valve (180°) mm | 75.2  | 134      | 143     | 130     | 152     | 185    | 196    | 221     |
| L3 法兰与平衡阀距离 (360°) / Length From Flange To Counterbalance Valve (360°) mm | 149   | 157      | 197     | 232     | 267     | 308    | 338    | 374     |
| L4 地脚安装孔距离 (180°) / Mounting Length (180°) mm                             | 229   | 248      | 281     | 314     | 374     | 400    | 426    | 460     |
| L4 地脚安装孔距离 (360°) / Mounting Length (360°) mm                             | 358   | 395      | 454     | 516     | 604     | 652    | 708    | 766     |
| L5 法兰与安装孔距离 / Flange to Mounting Hole mm                                  | 38.1  | 43.9     | 50      | 56.9    | 59.9    | 74.2   | 75.9   | 80      |
| W1 地脚安装孔宽度 / Mounting Width mm  | 190   | 230      | 260     | 300     | 340     | 380    | 410    | 450     |
| W2 总宽度 / Overall Width mm   | 222   | 268      | 310     | 350     | 400     | 447    | 484    | 530     |
| P1 P2 壳体油口 / Ports Housing  | ISO-1179-1/BSPP 'G' 系列, 尺寸从 1/8 到 1/4, 详见图纸 / ISO-1179-1/BSPP 'G' Series, Size From 1/8 to 1/4, See Drawing For Details |          |         |         |         |        |        |         |
| V1 V2 阀体油口 / Ports Valve  | ISO-1179-1/BSPP 'G' 系列, 尺寸 3/8, 详见图纸 / ISO-1179-1/BSPP 'G' SAE Series, Size is 3/8, See Drawing For Details.            |          |         |         |         |        |        |         |

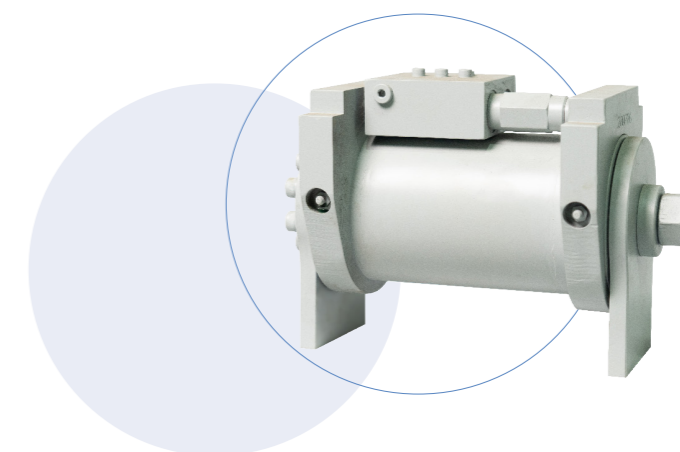


## KT40 系列 /KT40 SERIES

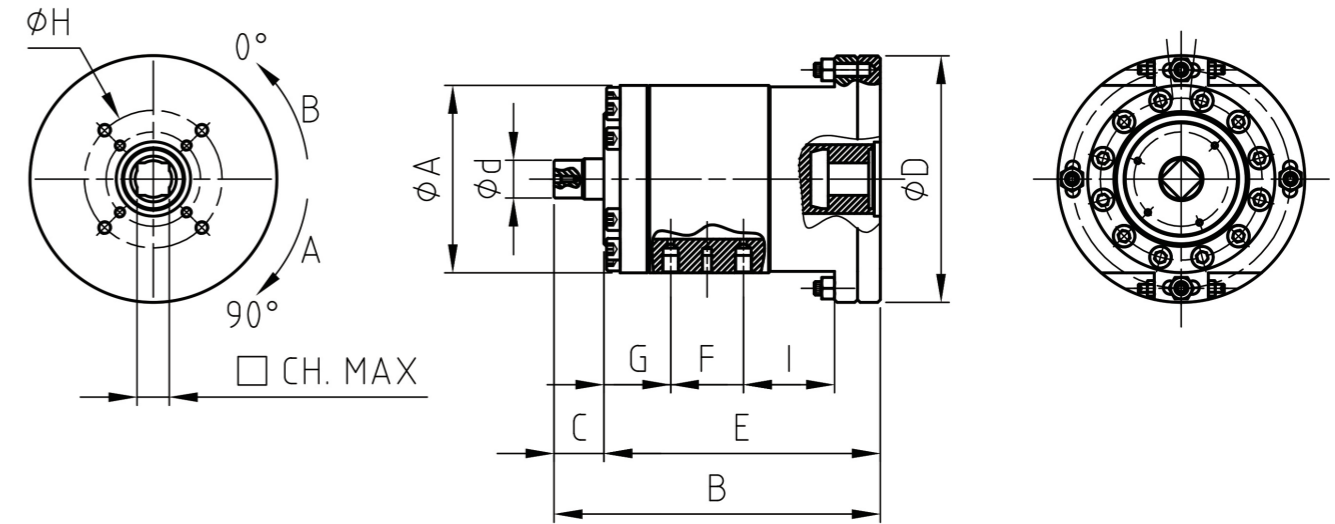
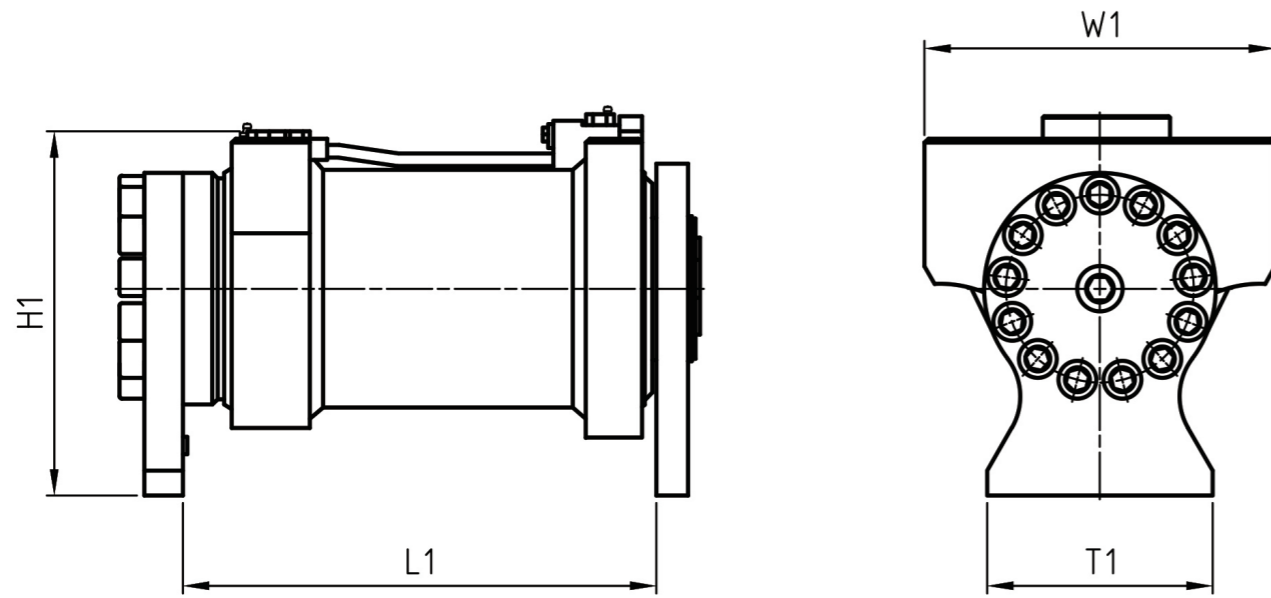
| 型号 /Model   | 28  | 50       | 67       |
|---|---|----------|----------|
| 输出扭矩 /Drive Torque Nm@21MPa                                   | 2800  | 5000     | 6700     |
| 保持扭矩 /Holding Torque Nm@21MPa                                 | 6100  | 10600    | 14300    |
| 旋转角度 /Rotation Angle  | 220°  | 220°     | 200°     |
| 跨骑安装最大弯矩 /Max Cantilever Moment Nm                            | 4200  | 7600     | 10100    |
| 径向负载 /Radial Capacity kg                                      | 2040  | 3130     | 3900     |
| 轴向负载 /Axial Capacity kg                                       | 2040  | 3130     | 3900     |
| 排量 /Displacement cc   | 775   | 1360     | 1650     |
| 重量 /Weight kg   | 33.6  | 58       | 75       |
| D1 安装盘直径 /Dia Of Mounting Flange mm                           | 140   | 165      | 178      |
| D2 花键连接器 (可选) 直径 /Spline Connector (Optional) Diameter mm     | 80  | 89.9     | 98.3     |
| F1 轴端花键尺寸 /Shaft end spline size                              | 公制尺寸, 详见图纸 /Metric Dimensions, See Drawing For Details  |          |          |
| F2 轴端固定孔规格 (两端) /Shaft End Fixing Hole Size (Both Ends) mm    | M12*1.75  | M12*1.75 | M12*1.75 |
| F3 地脚安装孔螺栓规格 /Foot Thread Mounting Hole Specifications mm     | M16*2   | M20*2.5  | M22*2.5  |
| H1 不含平衡阀高度 /Height without counterbalance valve mm            | 150   | 176      | 203      |
| H2 底面距中心线高 /Height of Center Hole mm                          | 73.2  | 83.9     | 102      |
| H3 总高度 /Overall Height mm                                     | 173   | 196      | 220      |
| L1 总长度, 含连接器 /Overall Length With Connectors mm               | 431   | 561      | 608      |
| L2 总长度, 不含连接器 /Overall Length Without Connectors mm           | 417   | 546      | 579      |
| L3 不含旋转部分长度 /Length Without Swivel Flange mm                  | 335   | 422      | 445      |
| L4 地脚安装孔距 /Foot Mounting Hole Distance                        | 265   | 320      | 320      |
| L5 轴端面与安装孔距离 /Distance Between Shaft End and Mounting Hole mm | 75.1  | 113      | 130      |
| L6 轴伸 /Shaft Extension mm                                     | 40.9  | 61.9     | 67.6     |
| L7 花键长度 /Spline Length mm                                     | 20.6  | 40       | 49       |
| L8 可选花键连接器长度 /Optional Spline Connector Lengths mm            | 32.5  | 52.6     | 60.5     |
| W1 地脚安装孔宽度 /Mounting Width mm                                 | 104   | 140      | 150      |
| W2 总宽度 /Overall Width mm                                      | 133   | 170      | 203      |
| P1 P2 壳体油口 /Ports Housing                                     | ISO-1179-1/BSPP 'G' 系列, 尺寸从 1/8 到 1/4, 详见图纸 / ISO-1179-1/BSPP 'G' Series, Size From 1/8 to 1/4, See Drawing For Details |          |          |
| V1 V2 阀体油扣 /Ports Valve                                       | ISO-11926/SAE 系列, 尺寸为 7/16, 详见图纸 /ISO-11926/SAE Series, Size is 7/16, See Drawing For Details.                          |          |          |

## KT50 系列 /KT50 SERIES

| 型号 /Model                           | 05   | 06   | 07   | 08    | 09    | 10    | 11    | 12    |     |
|-------------------------------------|------|------|------|-------|-------|-------|-------|-------|-----|
| 驱动扭矩 /Drive Torque (Nm)             | 930  | 2820 | 4740 | 7110  | 10620 | 14690 | 18640 | 24860 |     |
| 保持扭矩 /Holding Torque (Nm)           | 2470 | 5640 | 9480 | 14200 | 21240 | 29380 | 37280 | 49720 |     |
| 重量 /Weight (kg)                     | 35   | 85   | 145  | 195   | 260   | 385   | 545   | 680   |     |
| 排量 /Displacement (L/min)            | 240  | 525  | 1060 | 1460  | 1935  | 2600  | 3515  | 4540  |     |
| 旋转角度 /Total Tilt                    | 180° | 180° | 180° | 180°  | 134°  | 134°  | 134°  | 134°  |     |
| 最大机器重量 /Maximum Machine Weight (kg) | 1800 | 4775 | 6800 | 9100  | 13000 | 20000 | 27000 | 34000 |     |
| 尺寸 / Dimension(mm)                  | A    | 212  | 238  | 288   | 345   | 372   | 408   | 440   | 495 |
|                                     | B    | 230  | 335  | 378   | 488   | 495   | 535   | 595   | 642 |
|                                     | C    | 190  | 216  | 276   | 270   | 210   | 445   | 480   | 530 |
|                                     | D    | 98   | 127  | 152   | 155   | 375   | 254   | 268   | 320 |
|                                     | E    | 98   | 127  | 145   | 180   | 260   | 290   | 268   | 270 |
|                                     | F    | 203  | 230  | 280   | 285   | 300   | 347   | 395   | 450 |







KTPT2 系列 /KTPT2 SERIES

| 型号 /Model                                 | 4.5       | 30      | 50      | 70      | 100      | 180       | 240       | 300       | 465           |
|---|-----------|---------|---------|---------|----------|-----------|-----------|-----------|---------------|
| 实际机器重量 /Actual Machine Weight (tonnes)    | 1.5 - 1.8 | 1.9-3.0 | 3.0-5.0 | 5.0-7.0 | 7.0-10.0 | 11.0-18.0 | 18.0-23.0 | 24.0-32.0 | 32.0-50.0     |
| 高度尺寸 H1/Height Dim H1 (mm)                | 203       | 170     | 193     | 259     | 285      | 294       | 375       | 382       | 418           |
| 长度尺寸 L1/Length Dim L1 (mm)                | 215       | 242     | 270     | 343     | 378      | 432       | 495       | 535       | 583           |
| 宽度尺寸 W1/Width Dim W1 (mm)                 | 190       | 190     | 218     | 254     | 280      | 380       | 465       | 480       | 550           |
| 宽度尺寸 T1/Width Dim T1 (mm)                 | 98        | 120     | 130     | 160     | 180      | 310       | 330       | 350       | 400           |
| 含歧管的重量 /Weight (w/ manifold/no feet) (kg) | 23        | 27      | 39      | 67      | 84       | 142       | 213       | 253       | 332           |
| 驱动扭矩 207bar/Drive Torque 207bar (Nm)      | 930       | 1630    | 2600    | 4375    | 6650     | 13300     | 17875     | 24860     | 44300@310bar  |
| 制动扭矩 225bar/Brake Torque 225bar (Nm)      | 2260.0    | 6430    | 9350.0  | 14850   | 20450.0  | 40725     | 53100     | 70280.0   | 111800@324bar |

KTRL75/200 系列 /KTRL75/200 SERIES

| 型号 /Model                                | 75        | 110       | 140       | 200       |
|--|-----------|-----------|-----------|-----------|
| $\phi A$                                 | 132       | 137       | 151       | 151       |
| B  | 260       | 286       | 299       | 330       |
| C  | 37        | 37        | 50        | 37        |
| $\phi d$                                 | 30        | 30        | 30        | 30        |
| $\phi D$                                 | 169       | 179       | 168       | 199       |
| E  | 223       | 249       | 249       | 293       |
| F  | 58        | 58        | 58        | 75        |
| G  | 37        | 38        | 38        | 38        |
| $\phi H$                                 | 102-F10-  | 125-F12-  | 102-F10-  | 140-F14-  |
| I  | 91        | 111       | -         | 135       |
| CH.(max)                                 | 36        | 44        | 36        | 52        |
| Min./Max.PRESSURE(bar)                   | 30~160    | 30~160    | 30~160    | 30~160    |
| 扭矩 /Torque (Nm@100bar)                   | 790       | 1160      | 790       | 1997      |
| 排量 /Displacement (cm <sup>3</sup> )      | 179       | 262       | 179       | 450       |
| 重量 /Weight                               | 19        | 27        | 22        | 35        |
| 油口 /Ports                                | 1/4       | 1/4       | 1/4       | 1/4       |
| 工作温度 /Working Temp. (°C)                 | -20~80    | -20~80    | -20~80    | -20~80    |
| 位置指示器 /Position Indicator Kit (optional) | RL33/K... | RL33/K... | RL33/K... | RL33/K... |



摆动油缸广泛应用到工程机械的各个方面，图中分别是在煤矿机械和隧道设备中的应用。

Hydraulic rotary actuator is widely used in all aspects of construction machinery, and the picture are used in coal mining machinery and tunnel equipment.

图中是摆动油缸在湿喷台车中的应用，通常 X/Y 轴线安装两种摆动油缸提供不同方向的旋转。

The picture shows the application of hydraulic rotary actuator in wet spray trolley, usually x/y axis installation of two swing cylinder to provide different direction of rotation.



图中是摆动油缸在挖掘机挖斗关节处的应用，在车身不动的基础上实现挖斗的旋转，大大提高了工作效率。

The picture shows the application of hydraulic rotary actuator at the joint of excavator bucket. The bucket rotation is realized on the basis of car body immobility, and the working efficiency is greatly improved.



图中是摆动油缸在高空作业车的应用，可以使作业平台自由转动，提升了作业效率。

The picture shows the application of hydraulic rotary actuator in the aerial work truck, which can make the working platform rotate freely and enhance the operation efficiency.



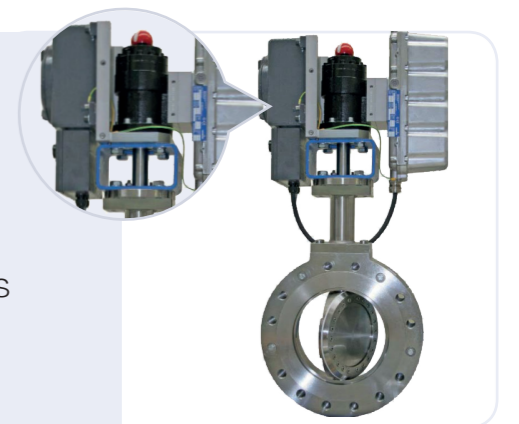
图中是摆动油缸在垃圾清扫车上的应用，简化了翻转运动，并且使翻转更可靠。

The picture shows the application of hydraulic rotation actuators on a garbage sweeper, which simplifies the turning motion and makes turning more reliable.

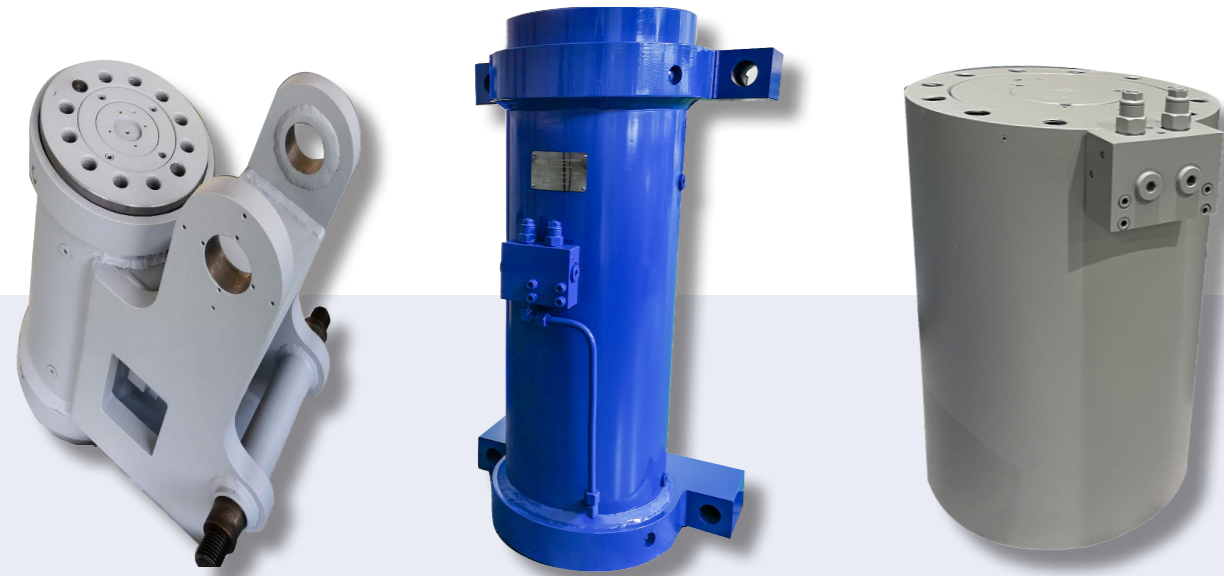


图中是在输油管道等阀门中的应用，实现远程安全高效操作。

The picture shows the application of hydraulic rotary actuators in oil pipelines and other valves to achieve remote safe and efficient operation.







**凯特** 液压建立了专业化、标准化的质量检测体系，  
每个环节由专人把关，  
每台液压回转执行器出厂都有专属的社内编码，  
实现生产、销售及服务的全面追溯溯源，  
为客户打造“在您身边、放心托付”的一站式合作模式。

Kaite Hydraulic has established a professional and standardized quality inspection system, each link is guarded by a dedicated person, each hydraulic rotary actuator factory has an exclusive community code, to achieve a comprehensive traceable source of production, sales and service, to create a one-stop cooperation mode of "at your side, rest assured that trust" for customers.



Strategic Partner  
战略合作伙伴

